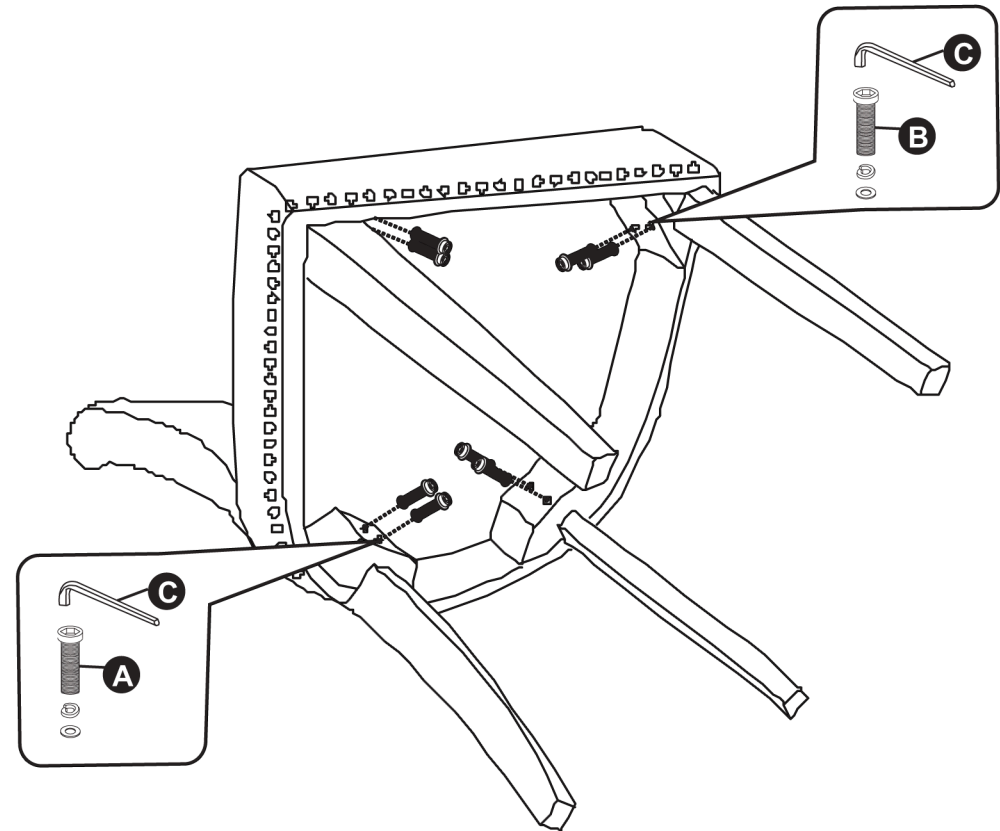
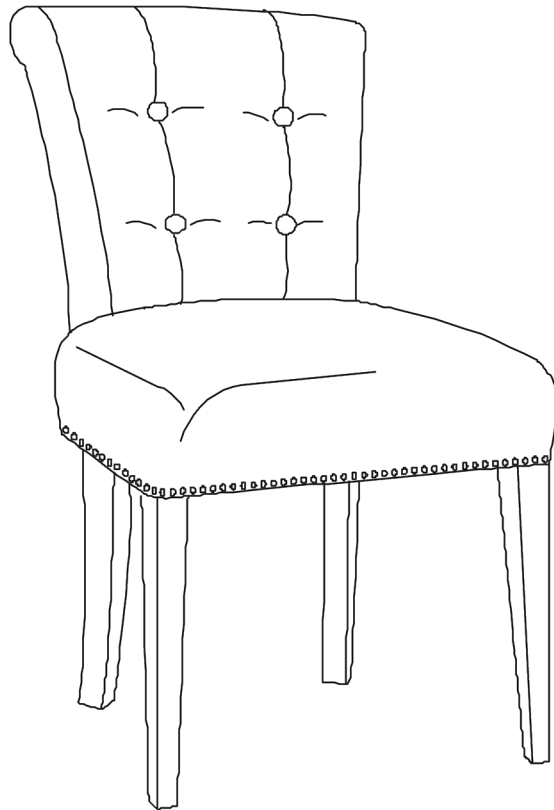





# ASSEMBLY INSTRUCTION CHAIR



HARDWARE LIST	CODE	PARTS	QTY.
	A	M8x55MM 	4
	B	M8x60MM 	4
	C	ALLEN KEY 	1