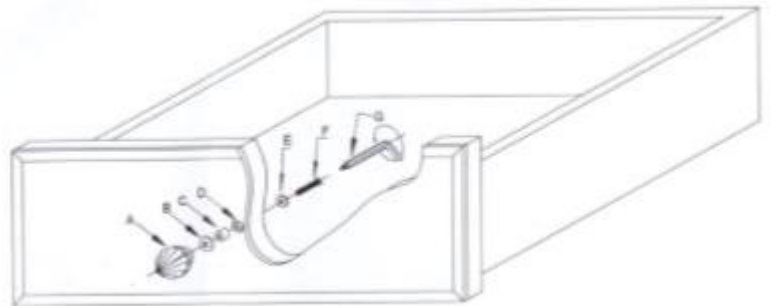


1. Assemble the draw knob according to the instructions below.
2. Make sure to put the metal sleeve between the knob and drawer, let the pvc washer go through the metal sleeve, in case of damaging the glass when tightening the screw, do not over tighten.

A	DRAW KNOB (HANDLE)
B	PVC WASHER
C	METAL SLEEVE
D	THE HOLE
E	METAL WASHER
F	SCREW
G	ALLEN KEY



WWW.LIFESTYLEFURNITURE.CO.UK

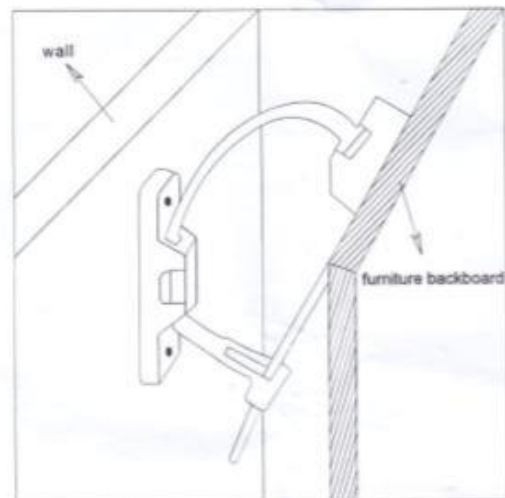
1. Attach one of the brackets (bracket1) securely to the back-top edge of the furniture.
Use the shorter screw.
2. Using a suitable screw system, fix the second bracket to the wall- a little below the level of bracket 1.
3. Place the furniture so the brackets are in line.
4. Lace the end of the nylon restraint strap down through the two brackets until snug. Pull down the strap end until it snap locks into the keyhole
5. Check to make sure the strap is securely laced and locked to the brackets

IMPORTANT NOTE:

Because of the variety of wall types, we cannot provide the exact screw system and instruction to fix this product to the wall.

Please make sure that the screws and wall plugs you use are suitable for your wall, and that they are correctly fitted to support your unit.

Consult a qualified trades-person if you are unsure.



1. There are labels to indicate numbers of legs, please match the number of legs with the correct position numbers.
2. Assemble the washer according to the instruction drawing.
3. Use the allen key to turn the screw clockwise, do not over tighten.

