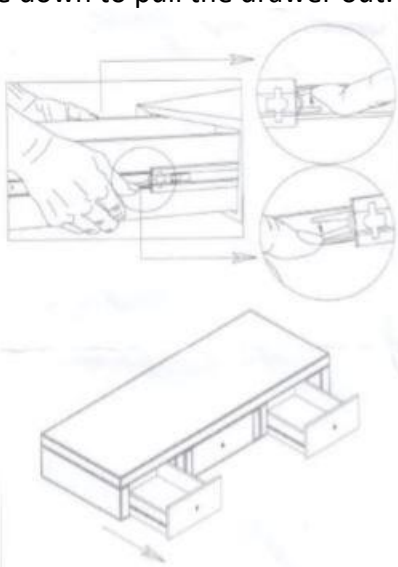


**ASSEMBLY INSTRUCTION  
DRESSING TABLE**

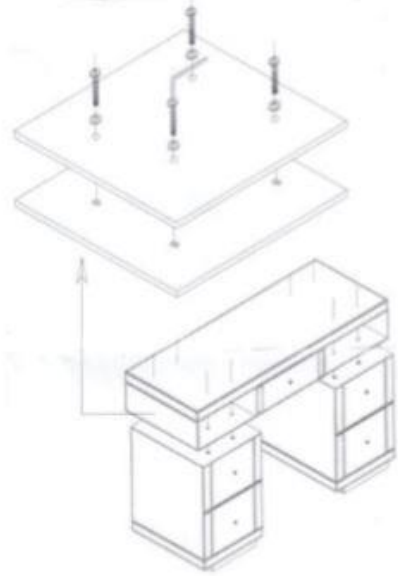
**STEP 1**

According to the drawing, make one side up and the other side down to pull the drawer out.



**STEP 2**

Assemble according to the drawing, use the allen key.



**STEP 3**

Install the drawer, the same as step 1.

