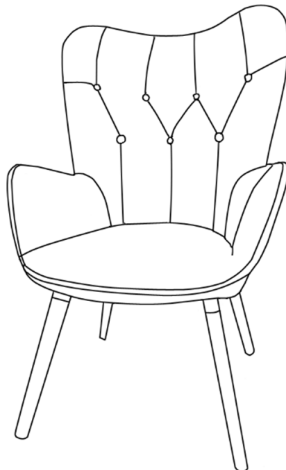


OSLO CHAIR ASSEMBLY INSTRUCTION

Thank you for purchasing the OSLO CHAIR. Please read the instructions carefully to ensure safe operation of the product.



Size: W 68cm x D 73cm x H 106cm
Seat Depth: 51cm Seat Height: 47cm
Colour: Mustard Velvet / Royal Blue Velvet / Grey Velvet

PLEASE READ this sheet prior to assembly to familiarise yourself with the various stages of construction.

Carefully open the pack supplied and check the contents against the parts and fittings check list. Do not destroy any of the packaging until you are certain that you have all the necessary parts for the assembly.

CAUTION: There are small components used in the construction of this unit. These loose items should be kept away from young children whilst assembling your unit to avoid the danger of choking hazards.

Tools Required



**30 mins
Set Up**

OSLO CHAIR ASSEMBLY INSTRUCTION

IMPORTANT - READ CAREFULLY - RETAIN THESE INSTRUCTIONS FOR FUTURE REFERENCE.

INFORMATION

- This product is intended for a maximum weight of 110 kg. Do not exceed this weight.
- Due to the size of this product we recommend that it is assembled in the room intended for use.
- When you are ready to start, make sure that you have the right tools, plenty of space and a clean, dry area for assembly.
- Unwrap all packaging materials and place the components on top of the carton box or on a clean floor to prevent it from scratching.
- Check the pack and make sure you have all the parts listed.
- Ensure that this product is fully assembled as illustrated before use.
- Check all screws or bolts are tightened and inspect regularly.
- Tools not included.

WARNINGS

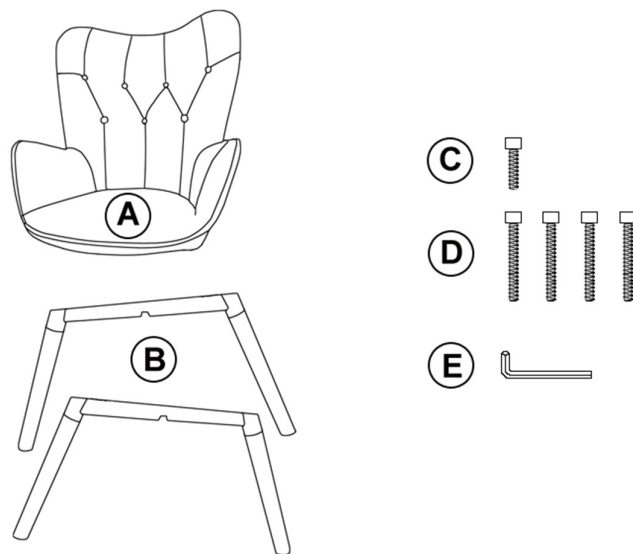
- This product should only be used on firm, level ground.
- Keep small parts out of reach of children.
- Make sure the legs remain in contact with the ground.
- This product has been designed for use by one person at a time.
- Do not use power tools to construct this product.
- Do not tighten screws until fully assembled.
- Do not over tighten screws or bolts.
- Do not use this product if parts are missing, damaged or worn.
- Do not stand on the product.

CARE INFORMATION


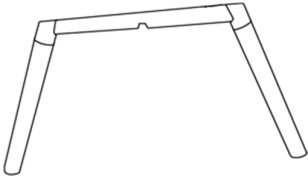
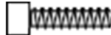
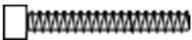
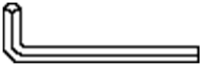
- Never use scourers, abrasives or chemical cleaners.
- To clean wipe with a sponge and warm soapy water. Do not use solvent based cleaners or detergents as they can bleach or damage the product.

OSLO CHAIR ASSEMBLY INSTRUCTION

Please check the pack contents before assembling the product. If any components are missing, please contact your retailer. The fittings pack contains small items that should be kept away from small children.



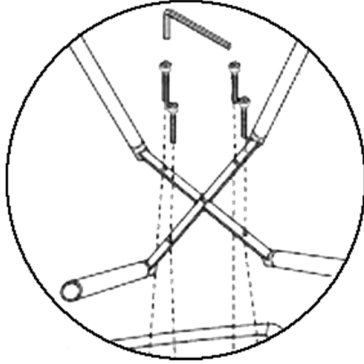
Parts

<p>A</p> 	<p>B</p>  <p>The back legs have adjustable foot pads</p>	<p>C</p> 
<p>Description: Chair Body Qty: 1</p>	<p>Description: Legs Qty: 2</p>	<p>Description: Bolt M6 x 25mm Qty: 1</p>
<p>D</p> 	<p>E</p> 	
<p>Description: Bolt M6 x 48mm Qty: 4</p>	<p>Description: Allen Key 4mm Qty: 1</p>	

CAUTION: There are many small components used in the construction of this product. Please keep these components away from young children whilst assembling this product. If you keep the fittings in a bowl during assembly you will be less likely to lose them!

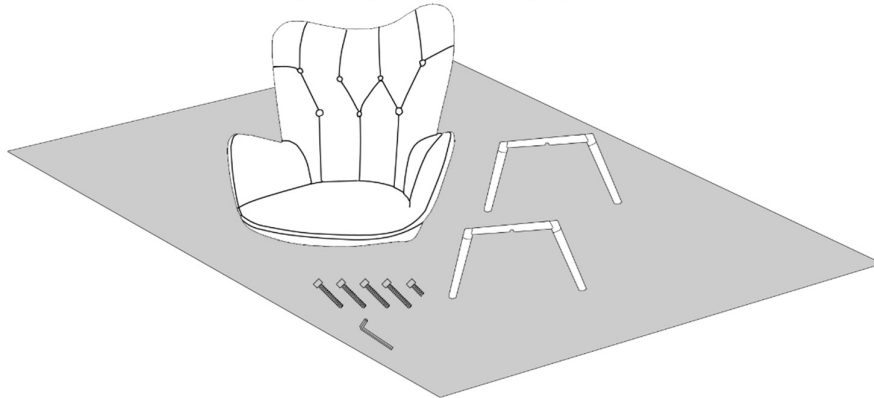
OSLO CHAIR ASSEMBLY INSTRUCTION

Hints and Tips



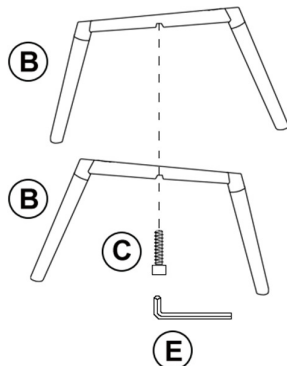
Layout Parts on Soft Surface

Lay out all parts on a soft surface i.e. Rug, Carpet or Packaging Carton



STEP 1

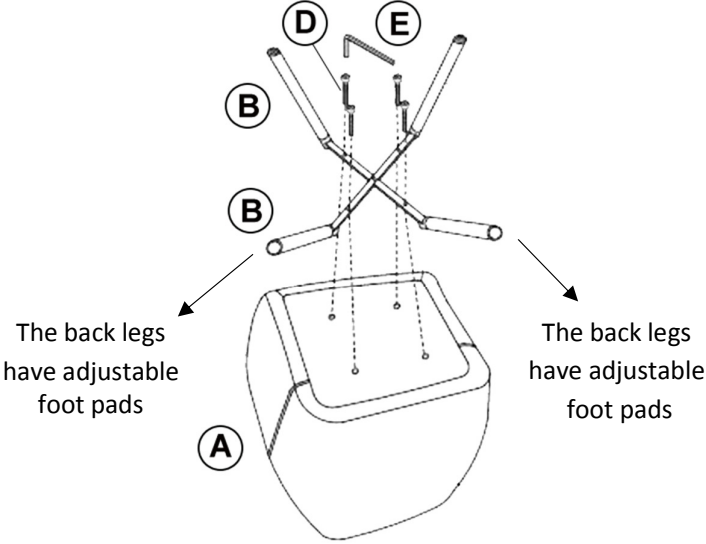
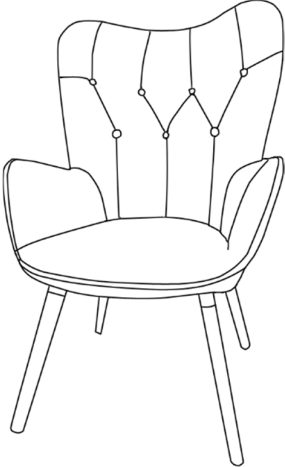
Parts Required



B. Legs x2
C. Bolt M6x25 x1
E. Allen Key x1

NOTE: Only tighten bolts **halfway**

OSLO CHAIR ASSEMBLY INSTRUCTION

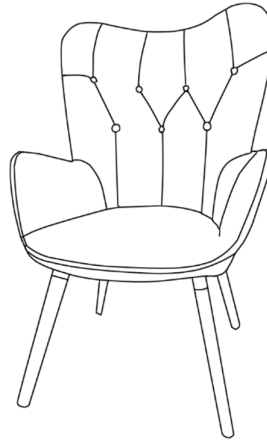
STEP 2	Parts Required
 <p>The back legs have adjustable foot pads</p> <p>The back legs have adjustable foot pads</p> <p>NOTE: Only tighten bolts halfway</p>	<p>A. Chair x1 B. Legs x2 D. Bolts M6x48 x4 E. Allen Key x1</p>
STEP 3	Parts Required
 <p>NOTE: Adjust the balance of the chair by adjusting the adjustable foot pads on the back legs. Then tighten all bolts to 100%.</p>	<p>A. Chair x1 E. Allen Key x1</p>

OSLO CHAIR ASSEMBLY INSTRUCTION

Complete Assembly

Your OSLO CHAIR is now completely assembled.

Periodically check to ensure that the components are in their proper position, free from damage. Also, make sure the connectors are tight and secure.



Keep instructions for future reference

